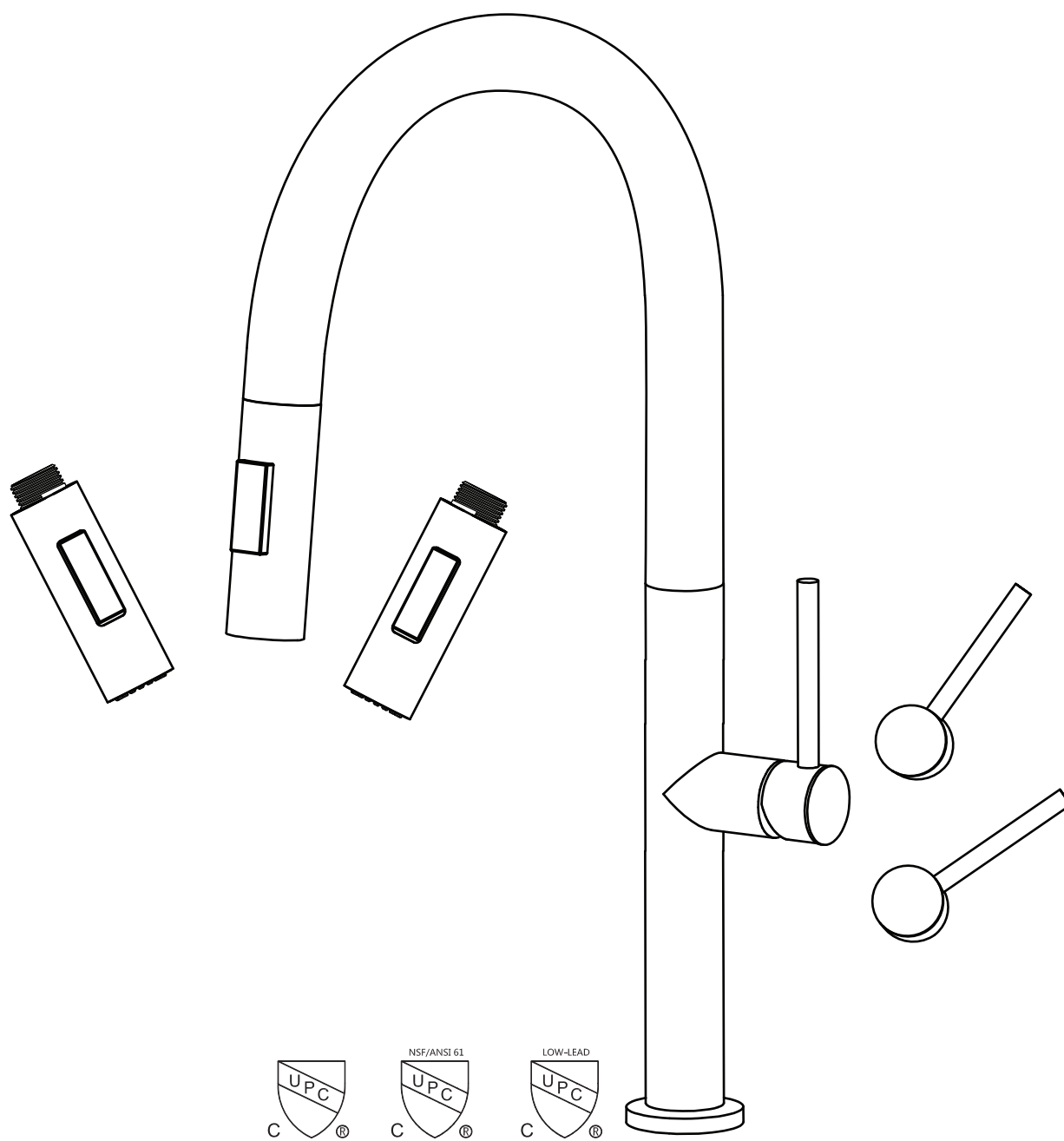
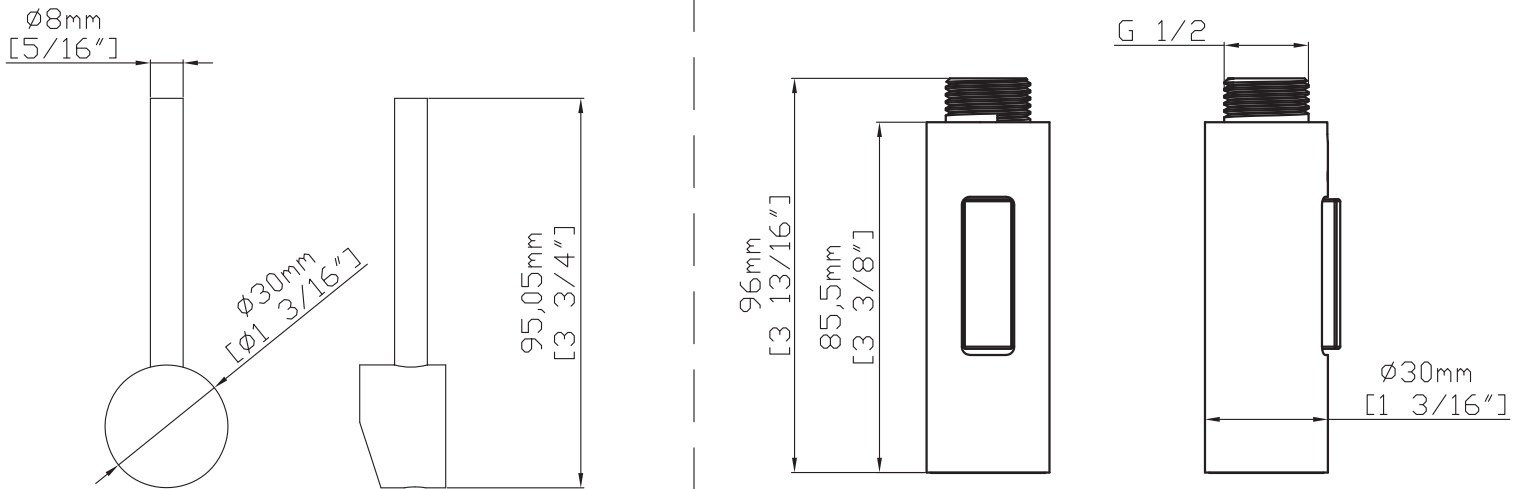


ROUND PULL-OUT KITCHEN FAUCET INSTALLATION INSTRUCTION



SPECIFICATIONS

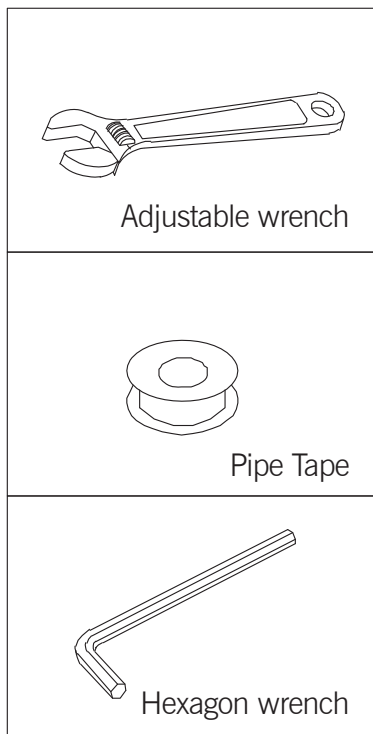




READ ALL INSTRUCTIONS BEFORE UNPACKING THE PRODUCT

INSTALLATION MANUAL

Tools You Will Need ·

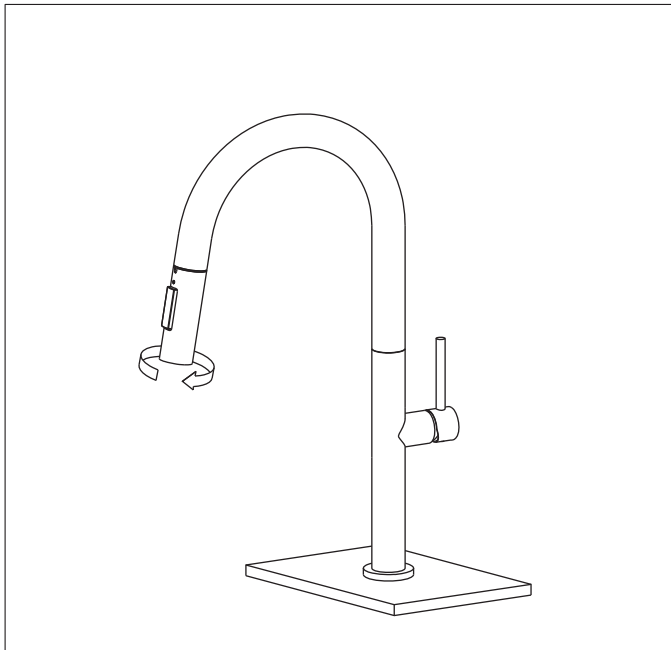


PLEASE NOTE BEFORE INSTALLATION

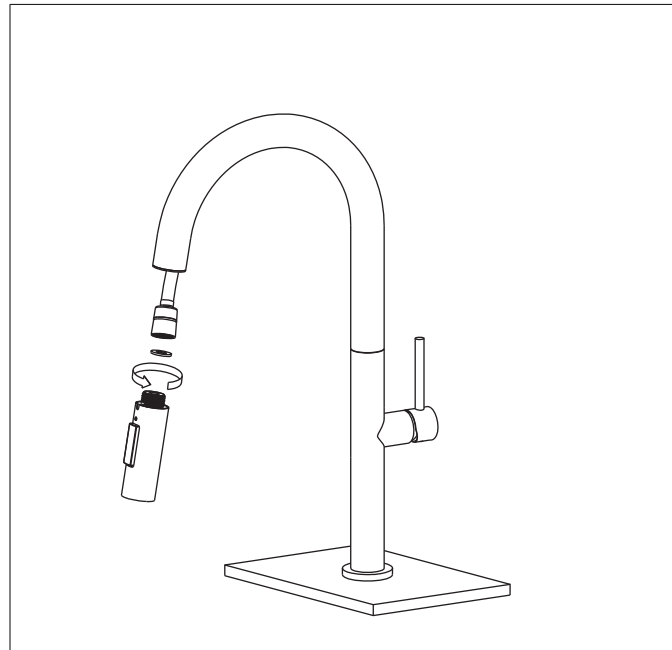
1. Please check that all components are present.
2. Before installation ensure that all feed lines are clear of debris and on/off valve is present.
3. Ensure water pressure is between 20-125 PSI (Includes combination of hot and cold feed lines).
4. Pictures in the manual are general in content and may not represent exactly your purchased faucet. If you are having difficulties please contact a professional plumber.
5. If you will be away from home for an extended period you should shut off the main water supply.

DAILY MAINTENANCE

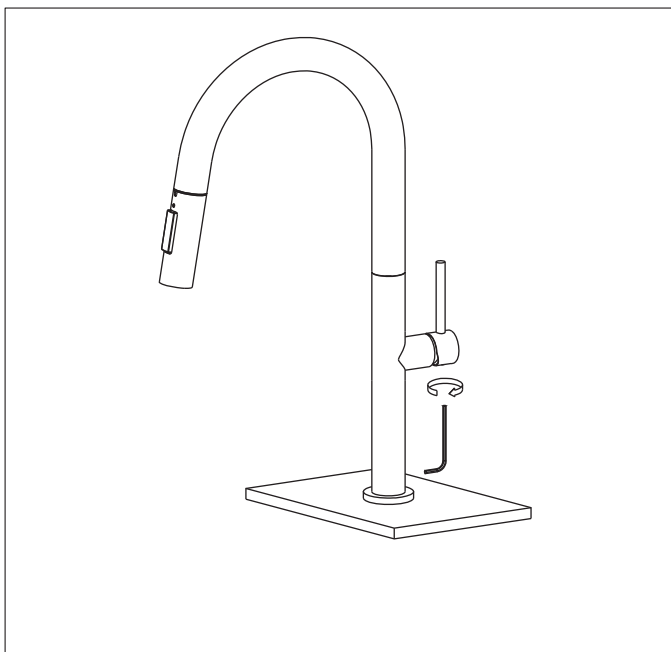
1. Use a soft cloth and vinegar to remove hard-water spots.
2. Check aerator (if present) regularly for calcium build up are when water stream is not optimum.
3. DO NOT use caustic cleaning products as the use will break down finish and will void the product warranty.
4. Acceptable cleaners include vinegar or mild non-abrasive liquid detergents.
5. If the water pressure appears to be less than optimum remove, inspect, clean or replace aerator.



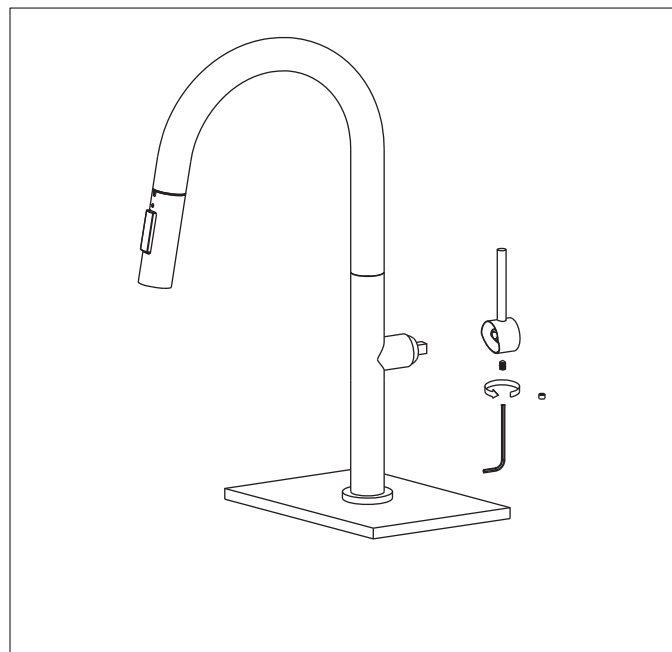
1. Hold on to the spray-head hose, turn spray head with clockwise and remove it along with the rubber washer.



2. Hold on to the spray-head hose, re-install the rubber washer and new spray head of FASH with anticlockwise.



3. Use a hex wrench to loosen the hex screw and remove the handle.



4. Use a hex wrench to tighten the hex screws to make new handle firm and not twisted.